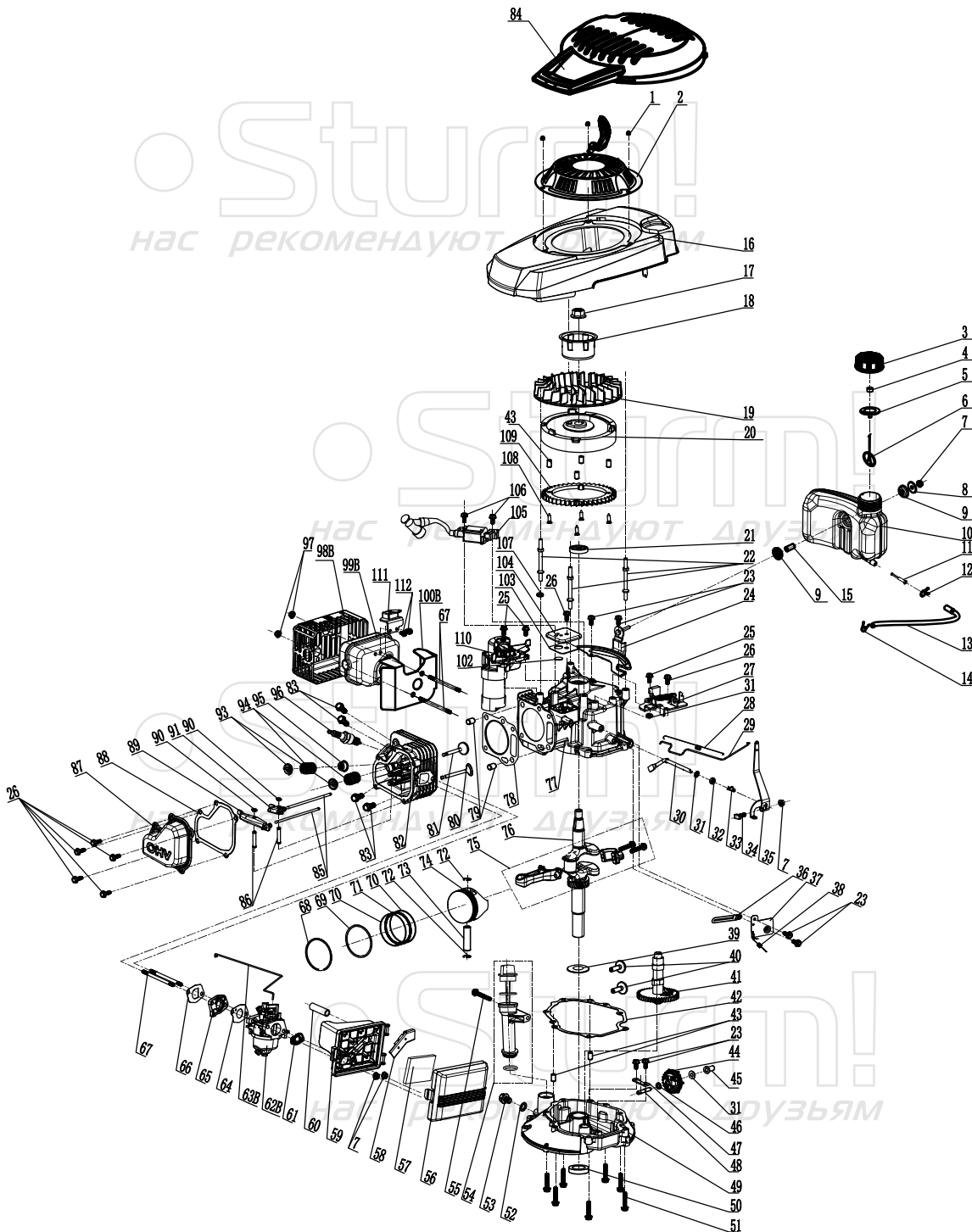


## PL5114SVE

NO.	DESCRIPTION	NO.	DESCRIPTION
1	Inch Hex Flange Bolts 3/8-24UNF-2B X50	56	Ratchet Wheel R
2	Blade Washer	57	Rear Drive Fix Plate
3	Blade	58	Ratchet Wheel L
4	Blade Adapter Assy	59	Wheel Outer Cover
5	Bolt M8x25	60	Wheel Assy
6	Bolt M8X30	61	Wheel Inner Cover
7	Belt Cover	62	Rear Drive Assy.
8	Screw ST4.2X14	63	Height Adjustment Handle Ball
9	Deck Mask 1	64	Catcher Bottom
10	Split Washer $\phi 5$	65	Battery Fuse
11	Screw ST6.3X14	66	Locking Washer $\phi 6$
12	Bolt M6X14	67	Rear Door Shaft
13	Nut M6	68	Spring
14	Deck Assy.	69	Rear Door
15	Side Discharge Chute	70	Throttle Control Assy
16	Side Discharge Cover	71	Catcher Top
17	Side Discharge Shaft	72	Catcher Screen
18	Spring	73	Foam Pipe
19	Side Discharge Bracket	74	Self-Propelled Lever
20	Self-Locking Device Base	75	Upper Handle
21	Self-Locking Device Block	76	Lever Block
22	Spring	77	Bolt M6X30
23	Self-Locking Device Washer	78	Rope Guide
24	Spring	79	Nut M6
25	Height Adjustment Rod	80	Knob
26	R Type Pin	81	Knob Pin $\phi 6$
27	Bolt M8X16	82	Lower Handle
28	Handle Bracket Left	83	Bolt M8X30
29	Engine	84	Washer $\phi 8.5 \times \phi 16 \times 1.5$
30	Water Nozzle	85	Knob
31	Nozzle Nut	86	Nut M8
32	"O" Ring	87	Cable Clip
33	Cable Block	88	Brake Cable
34	Nut M5	89	Self-Propelled Cable
35	Bolt M5X12	90	Cable Fixed Plate
36	Rear Door Dust Proof Board	91	Brake Lever
37	Nut M5	92	Electric Start Switch
38	Mulching Plug	93	Bolt M5X30
39	Height Adjustment Gear Plate	94	Washer $\phi 5.5 \times \phi 10 \times 1$
40	Handle Bracket Right	95	Screw ST3.5X12
41	Screw M6X10	96	Cable Clip
42	Wheel Outer Cover	97	Screw ST4.2X12
43	Nut M8	98	Handle Panel Lower Cover
44	Wheel Assy	99	Electric Start Cable Assy
45	Wheel Inner Cover	100	Transparent Cover
46	Wave Washer $\phi 14.2 \times \phi 20.7 \times 0.5$	101	Handle Panel Assy
47	Front Drive Assy.	102	Charger
48	Belt	103	Ep15 Battery Pack
49	Self-Propelled Spring	104	Bolt M5X30
50	Belt Limited Rod	105	Quick Knob Locking Pad
51	Gt Transmission	106	Quick Knob
52	Ratchet Pin $\phi 5 \times 17.8$	107	Quick Knob Lever
53	Rear Wheel Axle Sleeve	108	Throttle Cable
54	Ratchet Washer	109	Throttle Control Handle
55	Spring Washer $\phi 12$	110	Deck Mask 2



## ENGINE FOR PL5114SVE

NO.	DESCRIPTION	NO.	DESCRIPTION
1	Nut M6	57	Sponge Filter
2	Pull Starter Assy.	58	Vent Groove Cover Plate
3	Fuel Tank Cap	59	Air Filter Base.
4	Fuel Tank Cap Sponge	60	Exhaust Pipe
5	Fuel Tank Cap Seal Gasket	61	Air Filter Paper Pad
6	Fuel Cap Connect Cable	62B	Carburetor Assy
7	Nut M6	63B	Choke lever
8	Washer $\phi 6.5 \times \phi 24 \times 1.5$	64	Carburetor Paper Pad II
9	Tank Vibration Cushion	65	Intake Pipe
10	Fuel Tank	66	Carburetor Paper Pad I
11	Fuel Pipe Filter Net	67	Dual-Head Bolt M6x94
12	Fuel Pipe Clip I	68	Piston Ring I
13	Fuel Pipe	69	Piston Ring II
14	Fuel Pipe Clip II	70	Guide Rail
15	Fuel Tank Installation Bushing	71	Bushing Ring
16	Fan Cover	72	Piston Pin Circlip
17	Nut M14x1.5	73	Piston Pin
18	Starter Hub	74	Piston
19	Fan	75	Connecting Rod Assy.
20	Flywheel Assy	76	Crankshaft Assy.
21	Oil Seal	77	Crankshaft Box Assy.
22	Dual-Head Bolts	78	Cylinder Head Gasket
23	Bolt M6x12	79	Cylinder Head Locating Pin
24	Fuel Tank Bracket Assy #S2	80	Exhaust Valve
25	Bolt M6x18	81	Intake Valve
26	Bolt M6x14	82	Cylinder Head Assy.
27	Detent Assy.	83	Bolt M8x45
28	Throttle Valve Spring	84	Engine Cover
29	Throttle Valve Pushrod	85	Push Rod
30	Rate-Limiting Rocker Arm Shaft	86	Valve Rocker Arm Pin Shaft
31	Washer $\phi 6.2 \times \phi 15 \times 0.5$	87	Cylinder Head Cover
32	Oil Seal	88	Cylinder Head Gasket
33	R Type Pin	89	Exhaust Valve Rocker Arm Assembly
34	T-Bolt	90	Split Washer $\phi 5$
35	Throttle Rocker Arm	91	Inlet Valve Rocker Arm Assembly
36	Clip	93	Inlet Valve Spring Disc
37	Governor Assembly	94	Valve Spring
38	Throttle Control Spring	95	Valve Oil Seal Group
39	Clockwise Gear Washer	96	Spark Plug
40	Pin	97	Nut M6
41	Camshaft Assy	98B	Muffler Cover Assy.
42	Crankcase Gasket	99B	Muffler Assy.
43	Pin $\phi 8 \times 14$	100B	Muffler Insulation Cushion
44	Rate-Limiting Gear Assy.	101	Wind Deflector 1
45	Sliding Sleeve	102	Respirator Valve Plate
46	Washer $\phi 6.5 \times \phi 12 \times 1$	103	Respirator Head Gasket
47	Rate-Limiting Gear Shaft Clamp	104	Respirator Cover Plate Assembly
48	Rate-Limiting Gear Shaft	105	Ignition Assy.
49	Crankcase Cover	106	Bolt M6x25
50	Oil Seal	107	Washer $\phi 6.5 \times \phi 16 \times 3$
51	Bolt M6x30	108	Screw M5X25
52	Oil Drain Bolt Gasket	109	flywheel ring gear
53	Oil drain bolt M10xP1.25x15	110	STARTER MOTOR
54	Lubricating Gauge Assy	111	Choke controller 1#
55	Bolt M6x50	112	Bolt M5X10
56	Air Filter Cover		